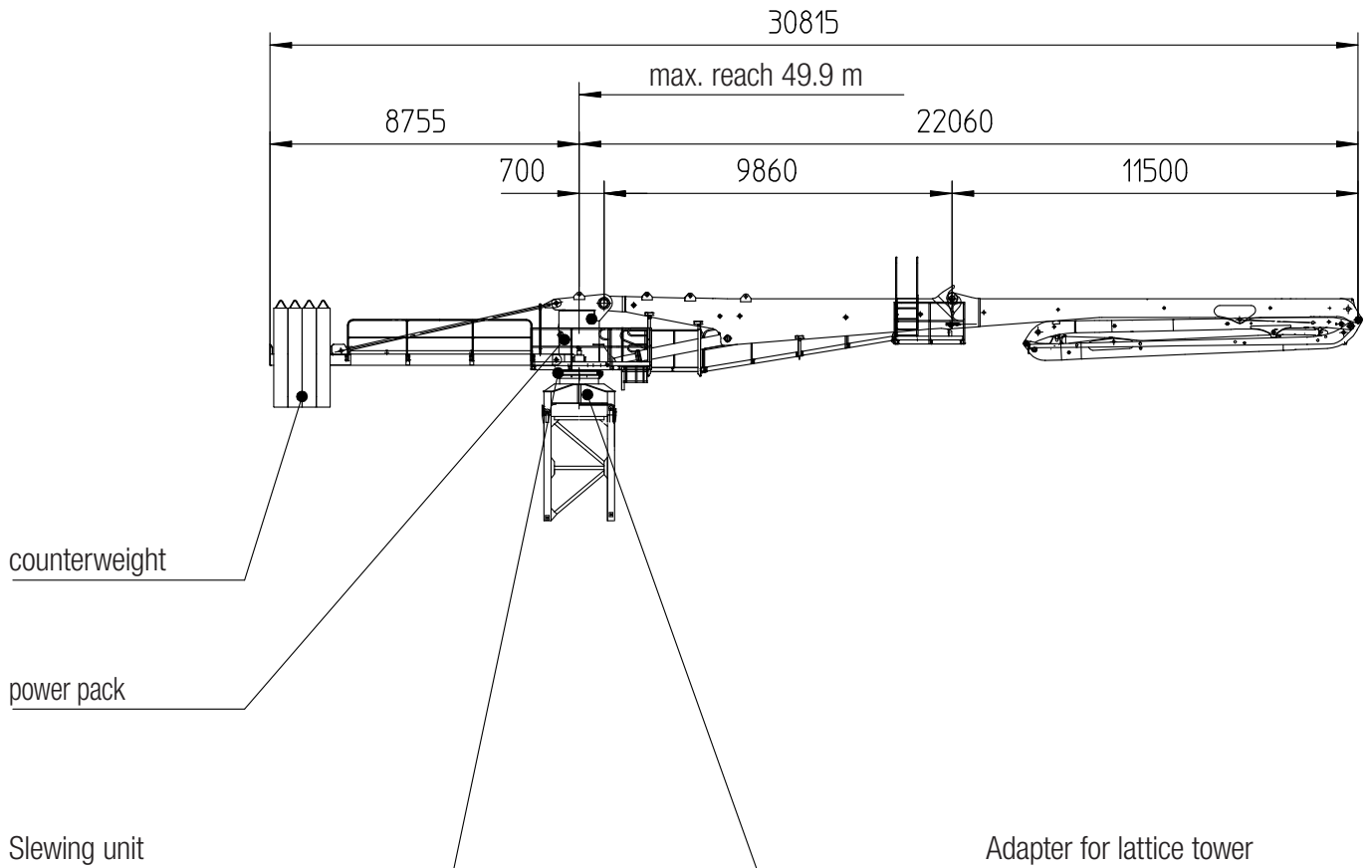


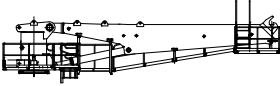



Stationary placing boom

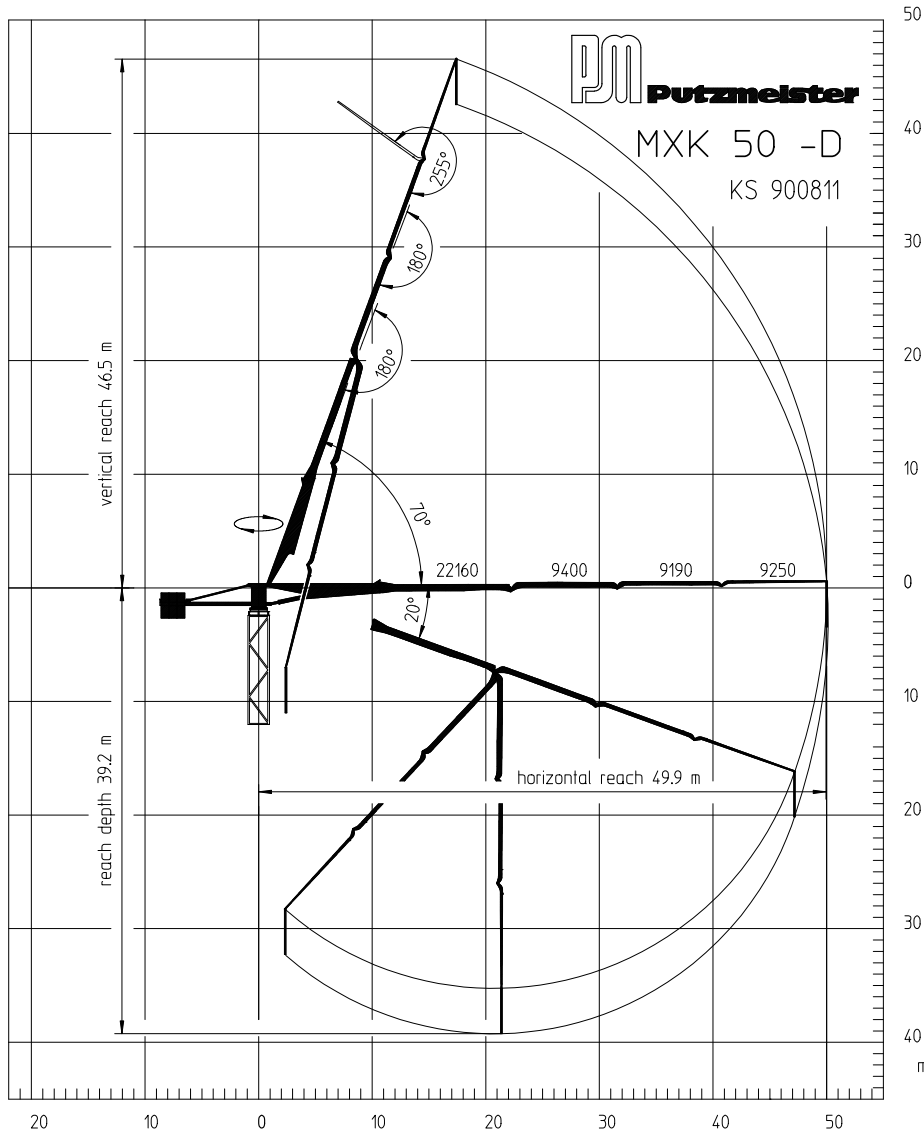
MXG 50-4



Weights and measurements					
Weight	[t]	4 × 4.00 *	2.35	9.45 **	7.85
Lenght	[m]	4 × 0.40 *	8.26	12.29 **	11.76
Width	[m]	2.00 *	1.05	2.38 **	2.45
Height	[m]	2.80 *	1.88	2.78 **	1.93
		* Weights and measurements depend on the type of the lattice tower.		** without adapter for lattice tower.	

Note: Standard version. Dimensions and weights depend on equipment. Subject to technical modifications and errors.

Reach information diagram



Technical data

Stationary placing boom		MXG 50-4
Sections		4
Reach height	m	46.5
Horizontal reach	m	49.9
Reach depth max.	m	39.2
Delivery line		DN 125
End hose length	m	3
Slewing range		endless
Weight	t	
boom		8
main beam		9.5
counterweight jib		2.4
counterweight (4 ×)		4

m All data max. theor.

Dimensions can differ depending on configuration.

Serial delivery scope

Arm assembly MXR 50-4	Operating manuals (1× paper, 1× CD-ROM), spare part list
Delivery line DN 125	
El.-hydraulic drive	Painting: arm assembly RAL 5012 light blue
End hose 3.0m DN 125 5.5"	Painting: base structure RAL 1015 light ivory
Radio remote control	

See quotation for exact serial delivery scope.
Comprehensive range of options available on request.