



Putzmeister



BSC: crawler-mounted concrete pumps

The perfect complement for bore pile filling work

Putzmeister machines: BSC range

BSC range for bore pile filling

Putzmeister's BSC range is ideal for filling bore pile foundations, and is perfectly suited for cast-in-place concrete work.

The BSC range combines the best qualities of Putzmeister BSA's concrete pumps with powerful crawlers, allowing it to work autonomously tracking bore pile drilling machine, and ensuring maximum efficiency for your project.

Bore piling is a key element of foundation-laying work in both civil engineering and construction work. A proper execution will determine the stability and longevity of the finished work.

BSC machines complete the pile boring process, pumping concrete into the bored piles dug in the ground. Our machines have worked in flagship projects such as the construction of the new Paris Courthouse building, designed by Renzo Piano.

Their ease of use is also reflected in the maintenance, with an on-board water deposit and compressor for convenient cleaning.





BSC range: ideal for bore pile filling work

- High-pressure and output concrete pumps
- Crawlers allow for independent transport
- On-board cleaning equipment (deposit, compressor, accessories) for greater autonomy on site
- Ergonic Pump System (EPS) syncs the concrete pump with the pile boring machine

BSC range: key characteristics



Cleaning: convenient and safe

Cleaning after work is simple anywhere with its integrated 800-1.000 l water deposit, air compressor and accessories, so you can efficiently clean-up even in remote locations without requiring external support.

The hopper's security platform allows for safe cleaning.

Remote control

The BSC range has a radio remote control for ease of use that regulates both transport and pumping parameters.

There is also a cable remote control and a driver's seat on the chassis for emergency situations.

Crawler-mounted chassis: full autonomy

The chassis is mounted on steel crawlers, which allows for autonomous transport, eliminating the need for cranes or alternative modes of transport.

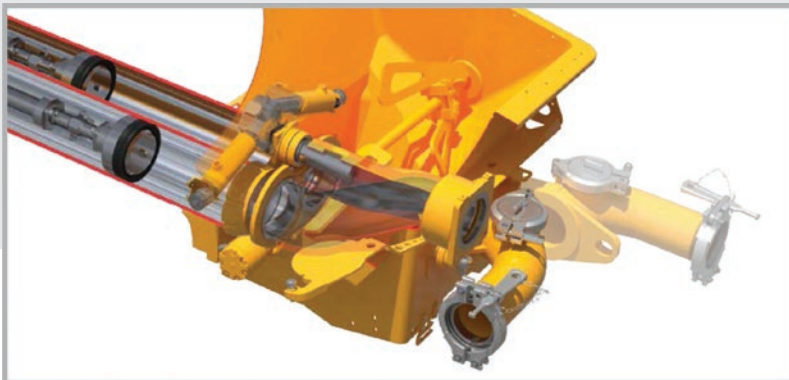
The BSC is able to work alongside the pile boring machine, simplifying the logistics on site.

Putzmeister concrete pumps: powerful, precise

Widely renowned for their quality and reliability; Putzmeister's concrete pumps have worked in key projects worldwide and continue to beat world pumping records both in terms of height and distance.

Their high output capacity of between 58 -97 m³/h and pressure of 71 bar make the range ideal for bored pile filling work.

The pump has all the Putzmeister warranties.



Putzmeister concrete pump

Ergonic Pump System (EPS): working alongside the pile bore drilling machine

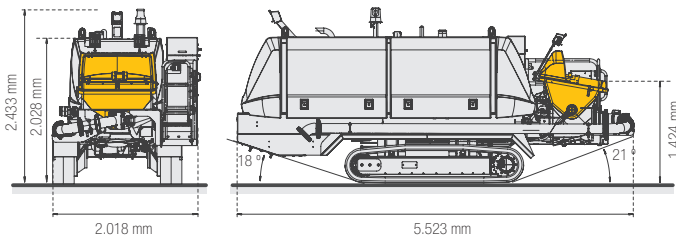
- Concrete flow and pressure adjustment system
- Ergonic Graphic Display (EGD) Screen
- Automatic speed reduction if the pump stops
- Surge Neutraliser (SN) controls pressure peaks
- Electronic error management
- Gasoil consumption optimization
- Real-time pumping data

ergonic[®]
inside

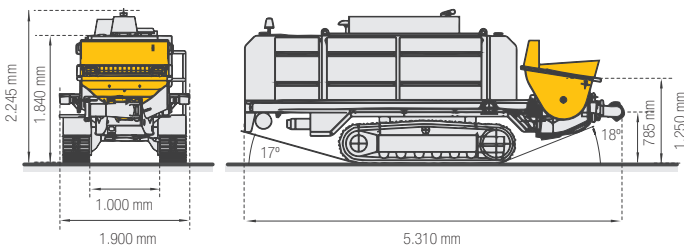


Technical data

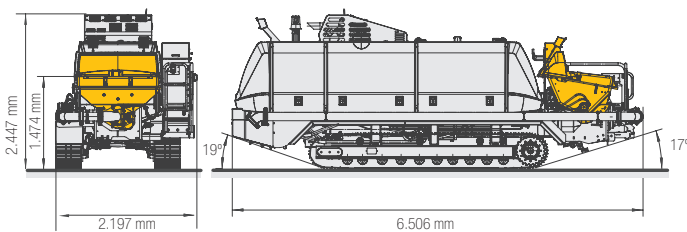
BSC 1005 D3B



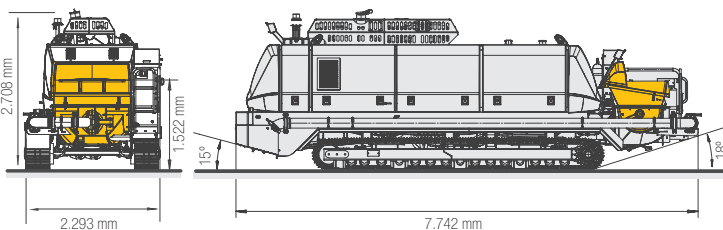
BSC 1409 D



BSC 1409 D4



BSC 2113 H D4



BSC 1005 D3B

Dimensions

Length	5.523 mm
Width	2.018 mm
Height	2.433 mm
Weight	5.000 kg

Putzmeister Concrete Pump

Delivery volume of up to	58 m ³ /h
Concrete pressure of up to	71 bar
Pump strokes	34/min
Delivery cylinder stroke	1.000 mm
Delivery cylinder diameter	180 mm
Pressure connection	5,5 " (125 mm)

Hopper

Capacity	350 l
Maximum noise levels	108 dB
Central lubrication	Manual
	Rubber collar

Chassis

Engine	Diesel Deutz, 4 cylinder
Engine Power	55 kW (75 HP)
Engine emission	Stage III B / Tier 4f
Steel crawlers	Steel, TFW-Fahrtechnik
Maximum speed	2 km/h
Diesel deposit	135 l
Lights	2 on the hopper, 1 in front

Remote control

Radio remote control	Transport and output
Cable remote control	Output
Cable length	10 m

Cleaning equipment

Water tank	762 l
Cleaning pump	50 l/min, 20 bar
Air compressor	860 l/min
Pressured air tank	40 l

Security platform
Accessories

Others

Standard coat of paint	MB 1227 Yellow
Technical documents	1 paper copy, 1 CD-ROM copy
	Tool box
	Emergency button

Optionals

Automatic central lubrication
Electric vibrator

	BSC 1409 D	BSC 1409 D4	BSC 2113 H D4
Dimensions			
Length	5.310 mm	6.506 mm	7.742 mm
Width	1.900 mm	2.197 mm	2.293 mm
Height	2.245 mm	2.447 mm	2.708 mm
Weight	6.000 kg	9.000 kg	16.000 kg
Putzmeister Concrete Pump			
Delivery volume of up to	85 m ³ /h	97/67 m ³ /h	130/89 m ³ /h
Concrete pressure of up to	71 bar	71/106* bar	112/130 bar
Pump strokes	32/min	37/min	26/18 min
Delivery cylinder stroke	1.400 mm	1.400 mm	2.100 mm
Delivery cylinder diameter	200 mm	200 mm	230 mm
Pressure connection	5,5 " (125 mm)	5,5 " (125 mm)	6 " (150 mm)
Hopper			
Capacity	600 l	600 l	600 l
Maximum noise levels	116 dB	108 dB	117 dB
Central lubrication	Manual	Manual	Manual
	Rubber collar	Rubber collar	
Chassis			
Engine	Diesel Deutz, 6 cylinder	Diesel Deutz, 6 cylinder	Diesel Deutz, 6 cylinder
Engine Power	129 kW (174 HP)	150 kW (204 HP) to 2.300 rpm	330 kW (450 HP)
Engine emission	Stage III A	Stage IV / Tier 4f	Stage IV / Tier 4f
Steel crawlers	Steel, TFW-Fahrtechnik	Steel, TFW-Fahrtechnik	Steel, TFW-Fahrtechnik Serie 7.5
Maximum speed	2 km/h	2 km/h	2 km/h
Diesel deposit	135 l	135 l	230 l
Lights	2 on the hopper	2 on the hopper, 1 in front	2 on the hopper, 1 in front
Remote control			
Radio remote control	Transport	Transport and output	Transport and output
Cable remote control	Output	Output	Output
Cable length	10 m	10 m	10 m
Cleaning equipment			
Water tank	500 l	800 l	1.100 l
Cleaning pump	50 l/min, 20 bar	50 l/min, 20 bar	160 l/min, 25 bar
Air compressor	860 l/min	820 l/min	860 l/min
Pressured air tank	40 l	60 l	120 l
		Security platform	Security platform
	Accessories	Accessories	Accessories
Others			
Standard coat of paint	MB 1227 Yellow	MB 1227 Yellow	MB 1227 Yellow
Technical documents	1 paper copy, 1 CD-ROM copy	1 paper copy, 1 CD-ROM copy	1 paper copy, 1 CD-ROM copy
	Tool box	Tool box	Tool box
	Emergency button	Emergency button	Electric vibrator
	Electric vibrator	Electric vibrator	
Optionals			
	Automatic central lubrication	Automatic central lubrication	Automatic central lubrication
	High pressure water pump	High pressure water pump	High pressure water pump
	Radio remote control	*Concrete Pump (Piston side)	Working data electronic reporting
	Special coat of paint: doors, pipes & mud guard		

Putzmeister BSC: the new generation

Putzmeister BSC: your best partner for bored pile filling

The BSC line was designed to adapt to pile bore filling work in civil engineering and construction, offering Putzmeister's quality concrete pumps with convenient crawlers.

The range offers greater independence of movement to simplify the process and optimize logistics on site.

Our pumps combine great pumping output and pressure for a variety of applications, with a maximum output of 97 m³/h and pressure of 71 bar.



This is a merely informative, non-binding document. Maximum theoretical values listed. Specifications are subject to change without prior notice. Photos and drawings are for illustrative purposes only. For available options, please consult the factory.

Putzmeister Ibérica S.A.

Camino de Hormigueras 173

28031, Madrid (Spain)

Tel. +34 91 428 8100

info@putzmeister.es · www.putzmeister.es

