

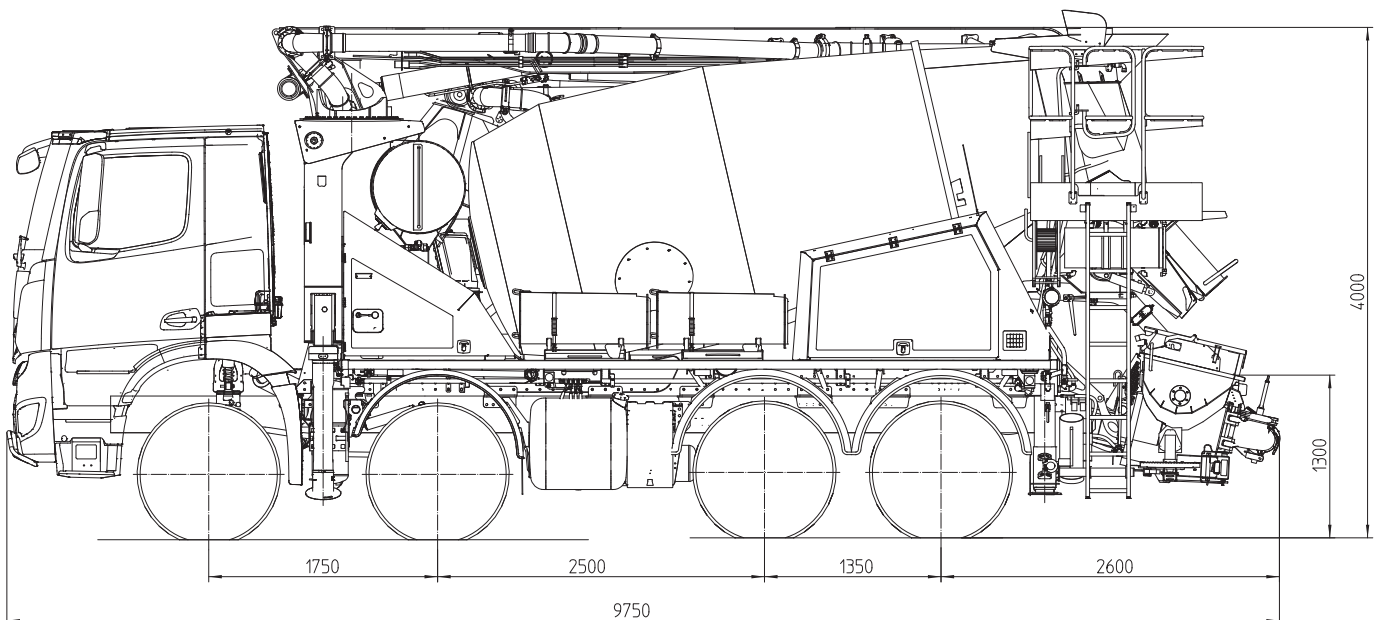
Putzmeister

PUMI®

25-4.77 S

Truck-mounted concrete pump with mixer

S transfer tube system



Note: Standard version. Subject to technical modifications and errors. Dimensions in mm, for example MB-Arocs, dimensions depending on the vehicle. Pictures contain optional equipments.

Technical data

| Boom TMM 25-4 | | | |
|------------------|-------|---|--------------|
| Number of arms | | | 4 |
| Reach height | m | | 24.5 |
| Horizontal reach | gross | m | 20.0 |
| | net | m | 17.3 |
| Reach depth max. | m | | 13.6 |
| Unfolding height | m | | 5.5 |
| End hose length | m | | 3 |
| Folding system | | | Z fold (Z) |
| Delivery line | | | DN 125 – 5.5 |

| Pump TMP 707 S | | | |
|-------------------|-------------------|--|-----|
| Output | m ³ /h | | 70 |
| Delivery pressure | bar | | 83 |
| Delivery cylinder | Ø mm | | 230 |
| Stroke | mm | | 760 |

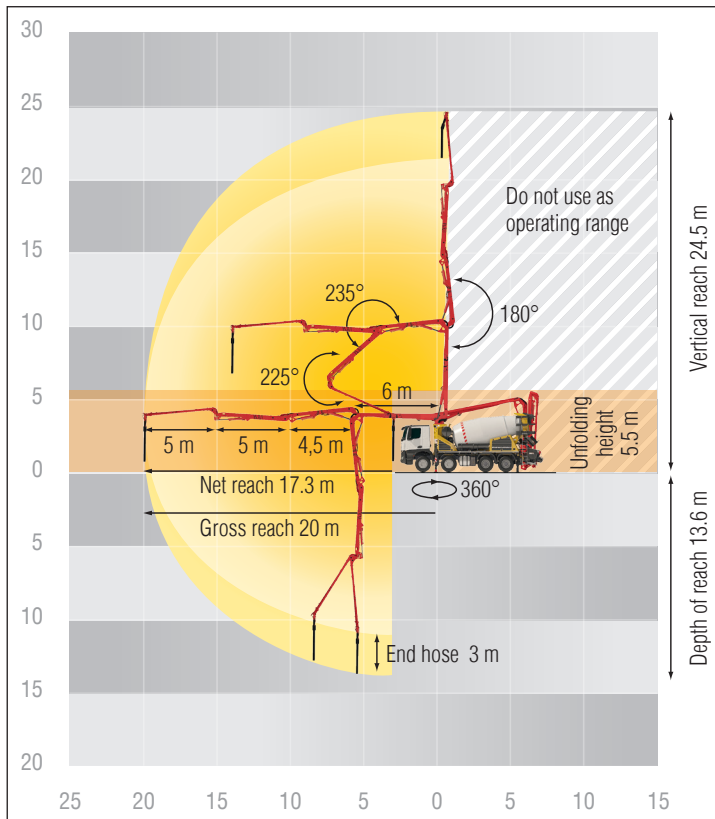
Maximum outputs of 70 m³/h and maximum concrete pressures of 83 bar may be achieved, depending on the equipment of the machine.

It is not possible to achieve maximum outputs and maximum concrete pressures simultaneously.

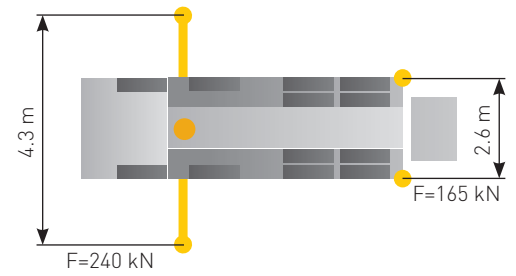
All data maximum theoretical.

| Truck mixer 7 cbm | | | |
|-------------------|----------------|--|--------|
| Nominal capacity | m ³ | | 7 |
| Filling ratio | % | | 60 |
| Drum speed | rpm | | 1 – 14 |
| Water tank | l | | 630 |

Reach information diagram



Support



Delivery scope Standard Line

| | | |
|--|--|-------------------------------------|
| Agitator radio remot/on site controlled | Delivery piston "standard" | Second drip ring on mixer drum |
| Agitator safety switch off (RFID) | Drawbar eye | Slewable and folding chute, steal |
| Box for sponge balls | EMC – Ergonic Mixer Control | Standard support system (incl. ESC) |
| Bracket for hammer and trowel | End hose 3m | Support plates 4x |
| Cardan shaft maintenance free | EOC – Ergonic Output Control | Tool set incl. standard equipment |
| Casted elbow with cleaning port | EPS – Ergonic Pump System | Wash-out port lid with slide pin |
| Central lubrication drum rollers, manual | ESC – Ergonic Setup System | Water supply mixer (remote/on site) |
| Central lubrication hinge first arm, manual | Lighting all control elements | Water tank 630 l, pressure tank |
| Central lubrication hopper, electrically | Lighting hopper, mounted | Water tap under water tank |
| Chute adjustment hydraulic-electrically | Lockable storage space | |
| Cleaning spray hose incl. bracket and spray nozzle | Mixer drum with 4 end spiral plates | |
| Compressed air connection rear side | Mudgard plastic | |
| Concrete hopper with agitator | Operating manuals (1x paper, 1x CD-ROM), spare part list | |
| Connection for watertank filling, right side | Paint: 4-color putzmeister standard | |
| Cover for hopper | Platform for cleaning with drop guard | |
| Delivery cylinder chromium plated | Radio remote control with display | |
| Delivery line (1-layer) PM40 DN125 | Rubber collar on concrete hopper | |
| Delivery note-box | | |

See quotation for exact serial delivery scope.
Comprehensive range of options available on request.